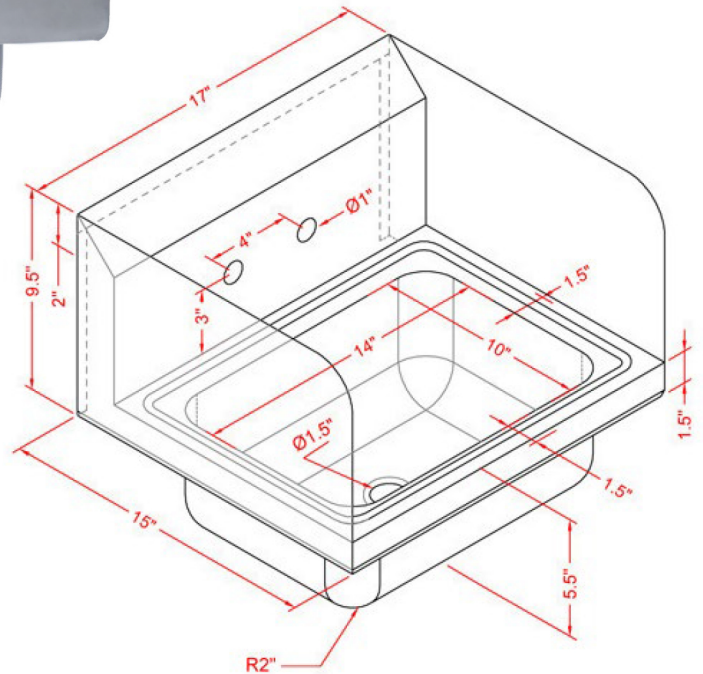


HAND SINK WITH SPLASH GUARD

THS-SG



FEATURES

- ✓ Made with high quality 18 gauge, 304 stainless steel
- ✓ Dimensions: 17" x 16" x 14"
- ✓ Well polished welded seams
- ✓ Curved corners and rolled edges
- ✓ 6.5" backsplash with 45° return
- ✓ Wall bracket and drain included