



Item: \_\_\_\_\_

Quantity: \_\_\_\_\_

Project: \_\_\_\_\_

**Cheesemelter Broiler**

# Cheesemelter Broiler

Models:  RCM-24    RCM-36    RCM-48    RCM-60    RCM-72



RCM-36

Gas Type:  Natural    LP

Elevation (if above 2000 ft.): \_\_\_\_\_

Range Mount    Wall Mount

Range Width: \_\_\_\_\_"  
(Range width necessary to determine bracket type. Width of Cheesemelter cannot exceed range width.)

## Standard Features

- Full width, removable stainless steel crumb pan for easy cleaning
- Stainless steel front and sides
- Individually adjustable infra-red burners provide powerful radiant heat
- Heavy duty chrome rack
- Standing pilots for instant safe ignition
- Stainless steel tubing for burners and pilots

## Options and Accessories

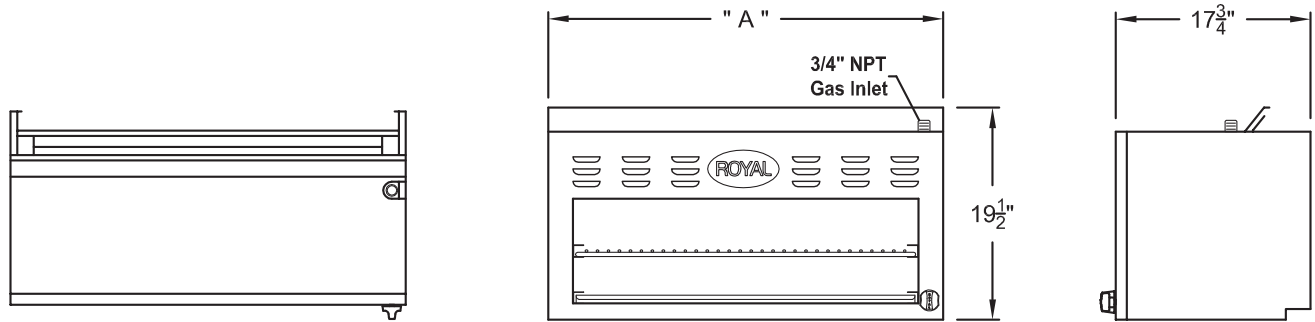
- 3/4" gas connection from range to RCM



**2 YEAR LIMITED, PARTS AND LABOR WARRANTY**



# Cheesemelter Broiler



Model Number	Width (A)	Number of Burners	Total BTU	Ship Weight
RCM-24	24"	1 <sup>1</sup>	20,000	105 lbs.
RCM-36	36"	1 <sup>2</sup>	35,000	165 lbs.
RCM-48	48"	2 <sup>1</sup>	40,000	210 lbs.
RCM-60	60"	2 <sup>1/2</sup>	55,000	275 lbs.
RCM-72	72"	2 <sup>2</sup>	70,000	335 lbs.

**Notes:**

1. Infra-red burners rated at 20,000 BTU/hr each.
2. Infra-red burners rated at 35,000 BTU/hr each.

**Gas Connection:**

3/4" NPT on the right hand rear at the top of the appliance.

The pressure regulator (supplied) is to be connected by the installer.

**Gas Pressure:**

5" W.C.	Natural Gas
10" W.C.	Propane

**Clearances:**

	Combustible	Non-Combustible
Rear	4"	0"
Sides	4"	0"

Specify type of gas and altitude, if over 2,000 feet, when ordering.