



Item: \_\_\_\_\_

Quantity: \_\_\_\_\_

Project: \_\_\_\_\_

# Pasta Cooker

Models:  RPC-14



RPC-14

Gas Type:  Natural  LP

Elevation (if above 2000 ft.): \_\_\_\_\_

## Options and Accessories

- Stainless steel tank cover
- Stainless steel side splash guard
- Stainless steel joiner strip
- Full pot stainless steel basket for bulk cooking
- 48" quick disconnect and restraining cable
- 5" swivel casters (set of four - 2 locking)

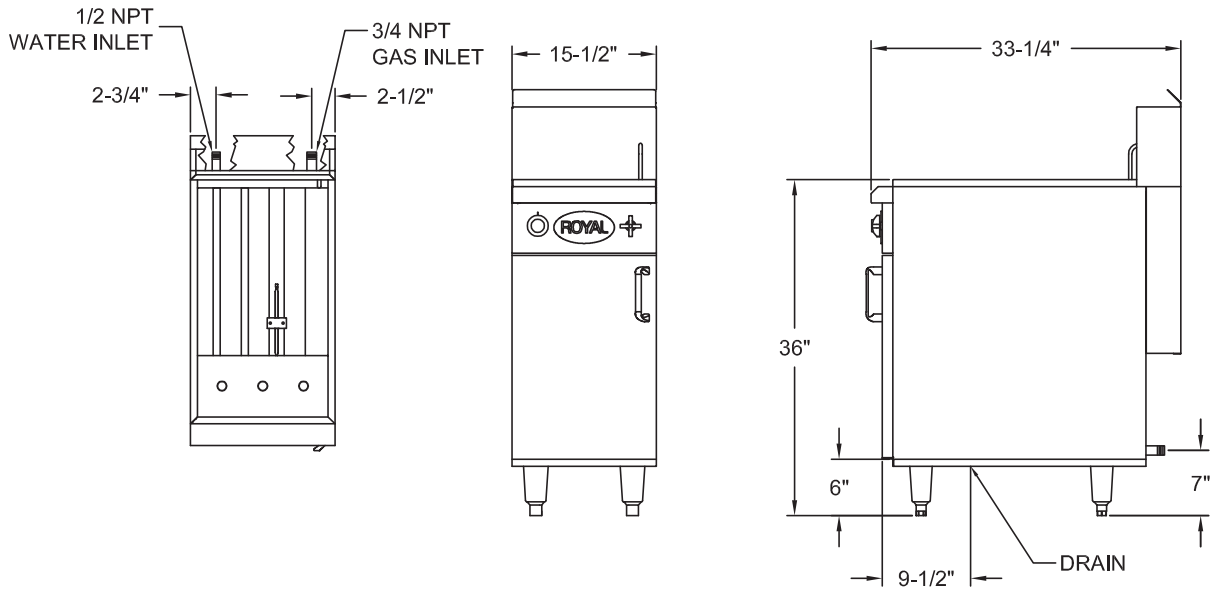
## Standard Features

- All 316 stainless steel tank assembly
- Heavy gauge stainless steel base
- All stainless steel front and sides
- 6 individual stainless steel baskets
- Easy to use front mounted water control valve
- Front over flow keeps water clean and starch free
- Cast iron burners rated at 24,000 BTU/hr each
- Millivolt control system with 100% safety shut off
- Thermostatic control with 150°-250° F range adjustable in 10° increments for better heat control.
- 1¼" full port drain valve
- 6" high adjustable heavy duty legs
- Five year limited (prorated) warranty on S/S tank



**2 YEAR LIMITED, PARTS AND LABOR WARRANTY**

# Pasta Cooker



Model Number	Cooking Area	Number of Burners	Total BTU	Ship Weight
RPC-14	14" x 18"	3	72,000	210 lbs.

**Notes:**

- Burner rated at 24,000 BTU/hr each

**Gas Connection:**

3/4" NPT on rear of the appliance.  
No external pressure regulator required.

**Water Connection:**

1/2" NPT on rear of the appliance.

**Drain connection:**

1-1/4" NPT

**Gas Pressure:**

4" W.C.	Natural Gas
11" W.C.	Propane

**Clearances:**

	Combustible	Non-Combustible
Rear	6"	0"
Sides	6"	0"

Specify type of gas and altitude, if over 2,000 feet, when ordering.