



Item: \_\_\_\_\_

Quantity: \_\_\_\_\_

Project: \_\_\_\_\_

Range Match Spreader

# Range Match Spreader

Models:  RR-12SPR     RR-18SPR     RR-24SPR     RR-36SPR



*RR-12SPR with optional casters*

## Standard Features

- Stainless steel work surface spreader
- Stainless steel front and sides including backguard and high shelf
- 6" legs
- Cabinet door

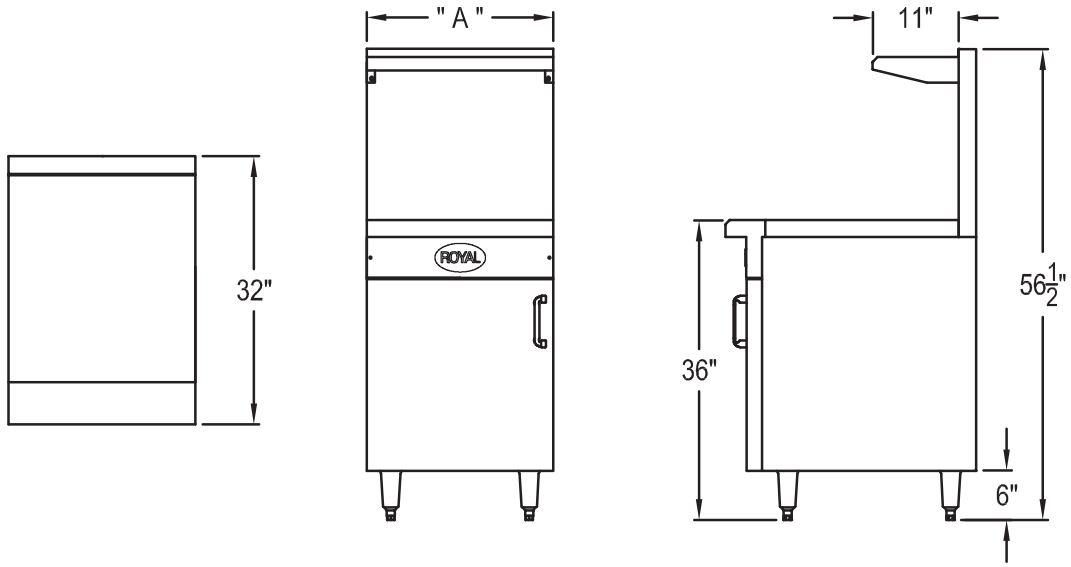
## Options and Accessories

- 5" swivel casters (set of four - 2 locking)
- 6" high stub back in lieu of high shelf
- Intermediate shelf in cabinet



**2 YEAR LIMITED, PARTS AND LABOR WARRANTY**

# Range Match Spreader



| Model Number | Width (A) | Ship Weight |
|--------------|-----------|-------------|
| RR-12SPR     | 12"       | 150 lbs.    |
| RR-18SPR     | 18"       | 160 lbs.    |
| RR-24SPR     | 24"       | 195 lbs.    |
| RR-36SPR     | 36"       | 210 lbs.    |